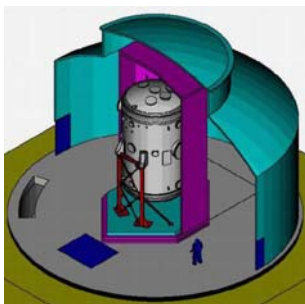


Wednesday, 9 September 2009; 14:00 h

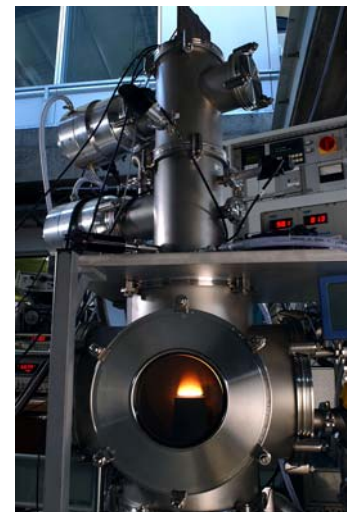


Forschungszentrum Karlsruhe is one of the largest science and engineering research institutions in Europe. It is funded jointly by the Federal Republic of Germany and the State of Baden-Wuerttemberg. Its research and development programs form part of the program structure of the Hermann von Helmholtz Association of National Research Centers. They concentrate on the five research areas of Structure of Matter, Earth and Environment, Health, Energy, and Key Technologies.

Visit the different labs for aerosol technologies:



- AIDA: the aerosol chamber for investigating Aerosols and Heterogeneous Chemistry in the Atmosphere



- PMS: the particle mass spectrometer measuring nanoparticles down to 0.5 nm and number concentrations up to 10^{13} 1/cm³ directly in flames and plasmas.



- Karlsruhe Exposure System: a mobile facility for testing the toxicity of aerosols on lung cell cultures via the air liquid interface equipped with an online dose measurement

- CAROLA, AEOLA and more.

For one transfer the special tram equipped with different aerosol measurement systems will be used.



Please obtain your tour voucher at the registration desk